

# Masport®

## EXPORT ROTARY MOWERS

# SERIES 18 - OPC

	<u>Part number</u>	<u>Model</u>	<u>Engine</u>
MASPORT	579927	350 ST COMBO	B & S Series 500

Month and Year of First Manufacture - June 2008  
SERIAL NUMBER FROM - 7114108

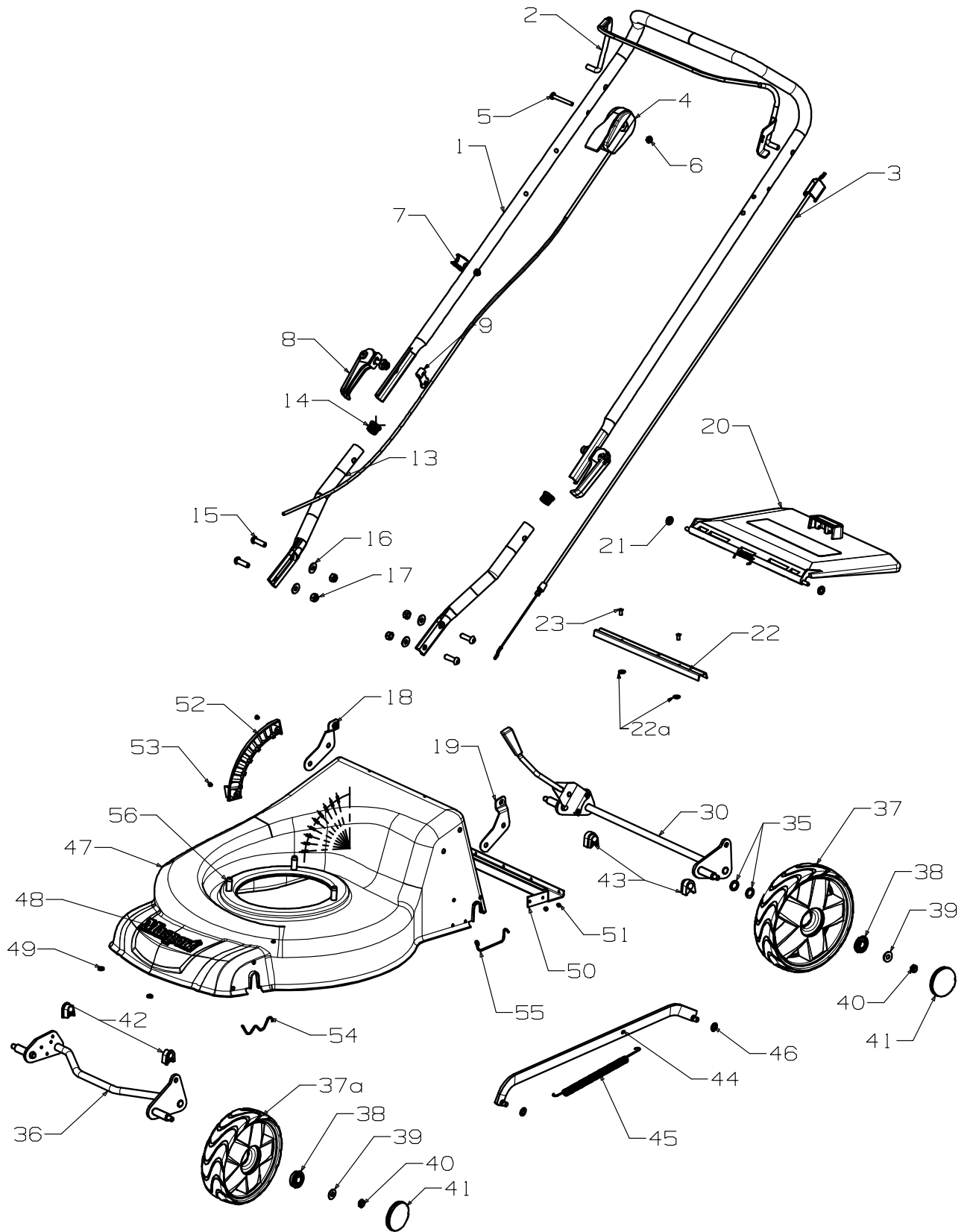




Powered by:  
350ST : Briggs & Stratton Series 500

# Masport

Issue A.2  
March 2014  
ECN 02711 BH  
REF # 779927/S



When ordering PLEASE QUOTE PART NUMBER & Description, NOT Illustration No.  
Determine right or left hand side from standing in operating position (standing at handle)



Powered by:  
350ST : Briggs & Stratton Series 500

# Masport

Issue A.2  
March 2014  
ECN 02711 BH  
REF # 779927/S

Item No	Part No	Description	Qty	Item No	Part No	Description	Qty
1	781265	Handle-Upper, Upturned - Black	1	45	581463	Spring-Counter Balance	1
2	981740	Bail Arm Assy, OPC Flatnd	1	46	501365	Clip-Starlock, 5/16"	2
3	581656	Cable- Engine, OPC Push	1			__==__	
4	583458	Control-Throttle, +Ve	1	47	773168	<b>Housing- Stl 18" XF Titanium</b>	1
5	503604	Screw, Pan M6 x 45	1	48	581240	Nameplate	1
6	501764	Nut, Nyloc M6	1	49	503150	Clip-Starlock, 5 Dia	2
7	703856	<b>Comfort Start Kit</b>	1	50	583267	Brace- Rear, EU	1
8	779755	<b>Cam Lock Assy</b>	2	51	581369	Rivet-Pop, 4 Dia x 3.2	4
9	581527	Retainer-Control Cable, Handle	1	52	580025	Quadrant-Height Selector	1
		__==__		53	503660	Rivet-Pop 4.8 Dia x 9.0	2
13	980692	Handle-Lower, Stub - Black	2	54	529674	Retainer-Axle W, Front	2
14	503319	Plug- 22mm, Plastic	2	55	579292	Retainer-Axle, Rear, Steel Deck	2
15	503643	Screw, Set M8x25	4	56	580453	Screw, S/T 3/ 8" x 1 1/8"	3
16	501606	Washer, Flat 8x19x1.6	4	57	583173	Insert- Mulching, 18"	1
17	501793	Nut, Nyloc M8	4			__==__	
18	579298	Bracket- Flap, RH	1			<b>NOT ILLUSTRATED</b>	
19	579297	Bracket- Flap, LH	1				
		__==__		569324	Owners Manual		1
20	782200	<b>Flap Assy- Plastic, ST Deck</b>	1				
21	503574	Clip- Starlock, 6mm	2				
22	583151	Dust Seal- Flap	1				
22a	502170	Washer, Nylon 5 x 12x2.0	2				
23	581369	Rivet- Pop 4.0x3.2	2				
		__==__					
30	783256	<b>Axle Assy-Rear, Complete</b>	1				
35	503301	Washer, Flt 1/2x3/4x18G	2				
36	983246	Axle-Front, 150mm	1				
37	579197	<b>Wheel Assy-200mm BB Spoked</b>	2				
		<b>incl. item 28</b>					
37a	579195	<b>Wheel Assy-150mm BB Spoked</b>	2				
		<b>incl. item 28</b>					
38	551212	• Bearing- Wheel	8				
39	501606	Washer, Flat 8 x 19 x 1.6	4				
40	503831	Nut- Nyloc, M8	4				
41	579198	Hub Cap, Button Spoked - Silver	4				
42	580030	Bush-Pivot, Front Axle	2				
43	580668	Bush-Pivot, Rear Axle,Steel deck	2				
44	980404	Rod Assy-Connecting, 150mm	1				

**Bold Text** = Assemblies  
**Bulleted Text** = Items included in Assemblies

When ordering PLEASE QUOTE PART NUMBER & Description, NOT Illustration No.  
Determine right or left hand side from standing in operating position (standing at handle)

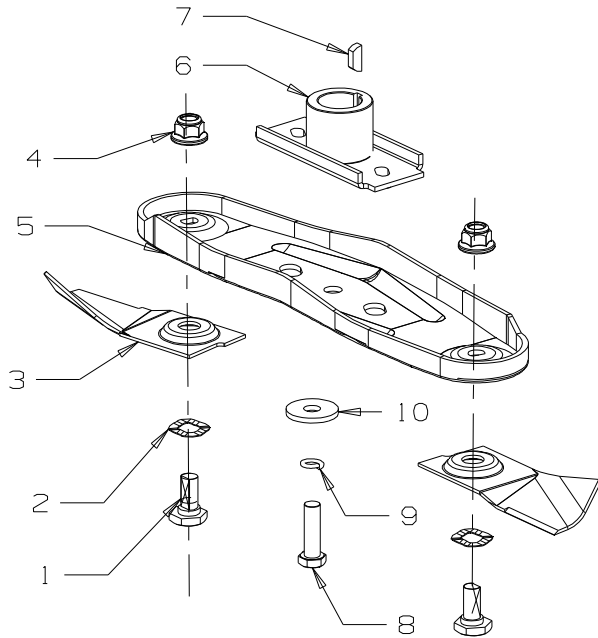


Powered by:  
350ST : Briggs & Stratton Series 500

# Masport

Issue A.2  
March 2014  
ECN 02711 BH  
REF # 779927/S

## 460mm Quick Cut Blade Assembly - 981364



Item	Part No	Description	Qty
	<b>981364</b>	<b>Incl items 1,2,3,4 &amp; 5</b>	<b>1</b>
1	581707	Bolt- Pivot, M10x22 Blade	2
2	580693	Washer, Wavy 13.4 x 24.2	2
3	583049	Blade, Quick Cut - 460mm EU	2
4	503672	Nut, Flange Nyloc M10	2
5	580653	Carrier, Blade Quick Cut	1
6	014173	Driver Assy-Blade - 7/8" Shaft	1
7	500636	Key, Woodruff - 5/8" x 5/32" x 1/4"	1
8	581610	Screw,Set NF 3/8" x 1.25 NYG8	1
9	500204	Washer, Spring 3/8"	1
10	503667	Washer, Flat 9.75 x 30 x 4	1

Also available as a Blade Pack;

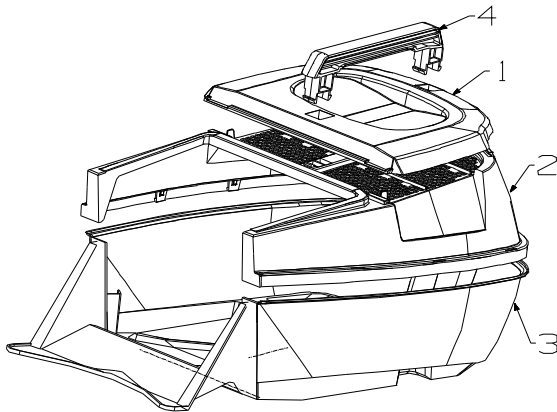
783261 Blade Assy 460 QuickCut 1



783049 Blade-QuickCut, E460 (2PER) 1



## Catcher Assembly Complete, Plastic - Part Number 767326



Item	Part No	Description	Qty
1	579120	Lid-Catcher	1
2	579117	Top-Catcher	1
3	969454	Bottom-Catcher	1
4	579119	Handle-Catcher	1

### HEAD OFFICE - NEW ZEALAND

1 - 37 Mt Wellington Hwy  
Panmure, Auckland 6  
Phone: (64 9) 571 1200  
Fax: (64 9) 571 5864

### HEAD OFFICE - AUSTRALIA

P.O. Box 533,  
Braeside 3195  
Phone: 1300 366 225  
Fax: 1800 035 594